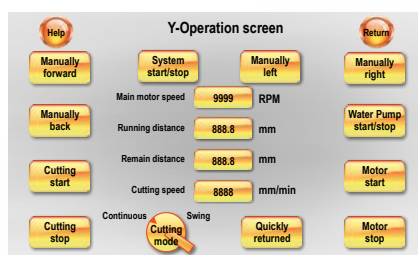
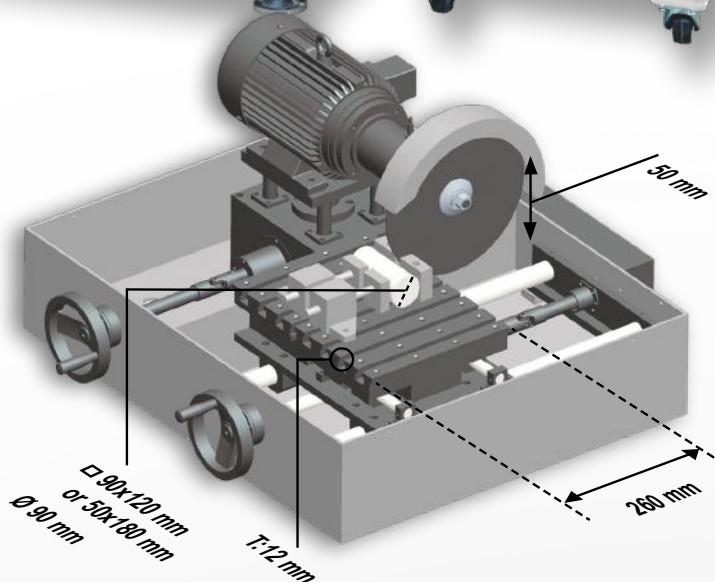


# MAXICUT-90

## Features

- > Automatic/manual floor-type metallographic cutting machine, equipped with PLC control and touch screen for displaying cutting data and samples positioning
- > Cutting table provided with T-slots to assemble different vices
- > Adjustable main axis height to allow cutting disc wearing compensation, automatic return at the end of the cutting
- > Cutting chamber equipped with internal LED illumination and ventilation system in order to increase the visibility during the process. It is supplied with cooling system complete with rinse channel and magnetic separator
- > Suitable for continuous cutting, in automatic mode, along with X and Y axes
- > Built-in safety features, internal safety device allows operation only if the cutting chamber is closed
- > This series is suitable for quality control, scientific research institutes and universities.



Model	MAXICUT-90	
Cutting capacity	Max. $\varnothing$ 90mm	
Cutting disc dimensions	Max. $\varnothing$ 300 x $\varnothing$ 32mm	
Cutting depth	90mm	
Working chamber LxW	470x750mm	
T-slots table LxW	435x300mm	
Speed	500÷3000rpm	
Noise level	<70dB	
Operating temperature	0÷30°C	
Humidity non-condensing	<65%	
Motor power	3000W	
Power supply	400V $\pm$ 10% - 50/60Hz - 3Ph	
Cooling tank	Capacity	88l
	Dimensions	620x600x770mm
	Weight	85kg
Machine	Dimensions	910x935x1350mm
	Weight	380kg

### Standard accessories

Clamp for metallic and non-metallic materials such as steel, iron, aluminium, copper, ceramics, crystals, rocks, etc.; cooling tank with pipes; spanners 46mm-24-30mm; cutting disc  $\varnothing$  300x2 x  $\varnothing$  32

### Optional accessories

103MAXI21 Vertical clamp for irregular shaped samples. Max. clamping 90mm. Suitable for all machines with 12mm T-slots.